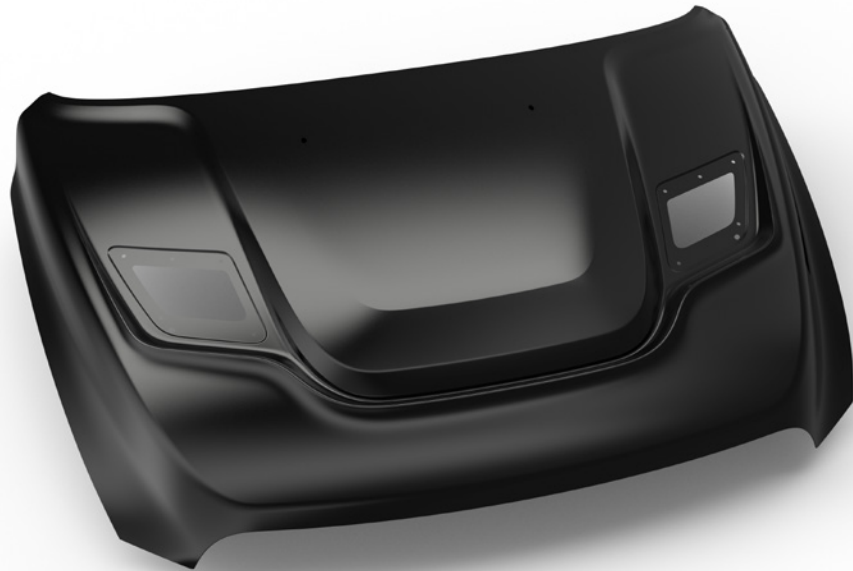




//////
**HEAT REDUCTION HOOD
RAM HD**



AEV30261AA
Last Updated: 07/05/16

INSTALLATION GUIDE



PLEASE READ BEFORE YOU START

TO GUARANTEE A QUALITY INSTALLATION, WE RECOMMEND READING THESE INSTRUCTIONS THOROUGHLY BEFORE BEGINNING ANY WORK. THESE INSTRUCTIONS ASSUME A CERTAIN AMOUNT OF MECHANICAL ABILITY AND ARE NOT WRITTEN NOR INTENDED FOR SOMEONE NOT FAMILIAR WITH AUTO REPAIR.

INCLUDED PARTS	QTY	REQUIRED TOOLS
Heat Reduction Hood	1	Common Hand Tools
Hood Bezel Kit	1	



NOTE: INSTALL AND ADJUST AEV HOOD PRIOR TO PAINTING TO ENSURE A PROPER FIT. FITMENT ISSUES WILL ONLY BE COVERED UNDER WARRANTY IF THE HOOD IS **NOT** PAINTED.

REMOVE FACTORY HOOD

1. Remove the following factory components and SAVE.

- Hood Latch.
- Seal along the front lip of the hood.
- Liner (if equipped) – remove plastic retainers.
- Foam seal around latch (if equipped).
- Windshield washer nozzles and hose.
- Under hood light and wiring harness.

2. Removal of Hood

- A. With a helper, remove the hood lift cylinders. Lift the clips on the ends of the cylinders using a small bladed flat screwdriver and pull (fig. 1). CAUTION: Once the cylinders are removed the hood will no longer be supported.

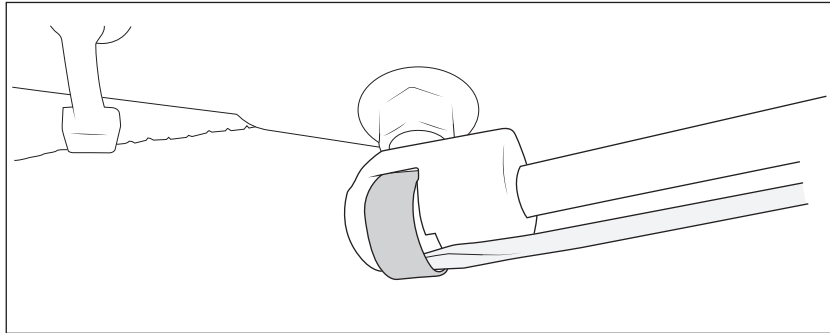


Figure 1

- B. Loosen the four (4) 13 mm nuts on the hood hinges (fig. 2).

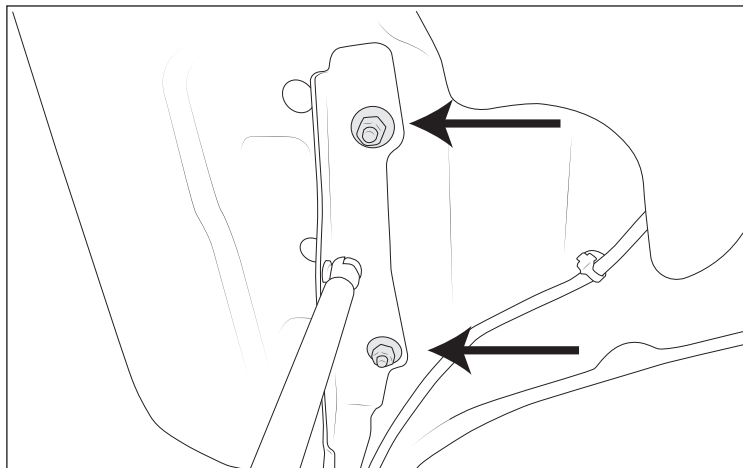


Figure 2

- C. When the hood is fully supported, remove the four nuts and lift the hood off of the vehicle.



INSTALL AEV HEAT REDUCTION HOOD

1. The holes for the hood bezels will need to be widened to $11/32$ " -five per side (fig. 3).

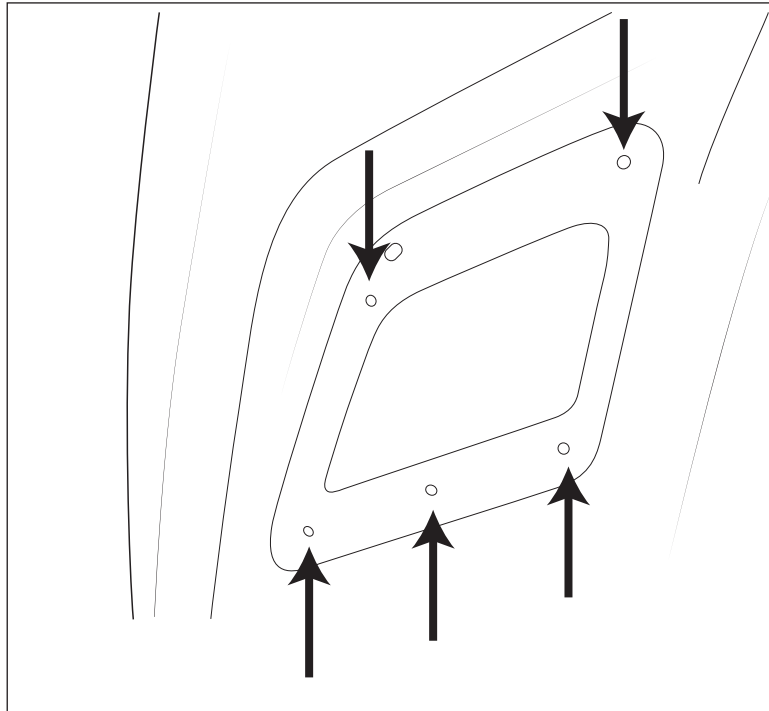


Figure 3

2. With a helper, hold the AEV hood in position and loosely reattach the hood hinges using the four nuts removed in the previous step.
3. Install hood latch onto the AEV hood. Close the hood to check flushness and gap. Adjust the hood as necessary.
4. If the rear corners of the hood are not flush with the fenders, the hood hinges will have to be lowered. You can access the hood hinge bolts between the fender and the A pillar (fig. 4).

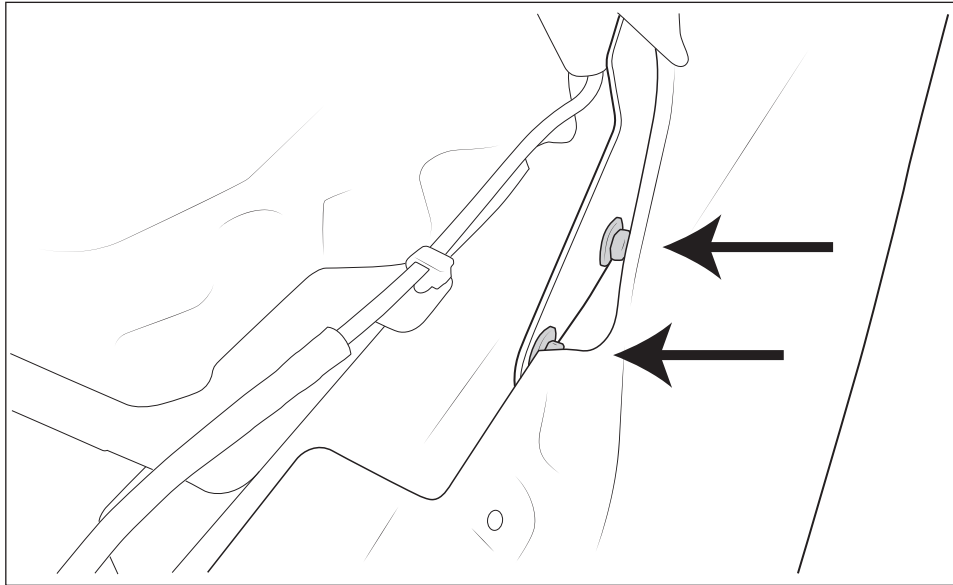


Figure 4

5. Loosen hinge bolts.

- A. Peel back the weather seal at the bottom corners of the windshield and remove the bolt that is fastened to the hinge (fig. 5).

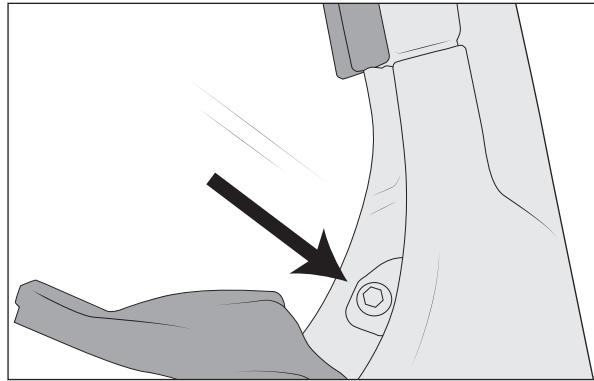


Figure 5

- B. With the hinge bolts loose, align hood so that it is flush with the fender then tighten the hinge bolts.
- C. You may need to add shims to the underside of the fender to keep the two surfaces flush.
- D. Replace the bolts and weather seal at windshield corners.

6. Align Hood.

- A. With the hood closed and nuts loose, align the hood so that the gaps between it and the fenders are equal on both sides.



- B. Once the gaps are even, reach through the vent openings to tighten the nuts. NOTE: Be mindful of the battery posts, DO NOT make contact with them.
- C. If the front edge of the hood is too low and not flush with the surface of the fenders, you may need to adjust the latch mechanism. Do this by loosening the two 10 mm bolts and shift the mechanism upwards (fig. 6). Re-tighten the bolts and check for flushness. If the hood is still low, you may need to add shims under the latch striker mounted on the hood.

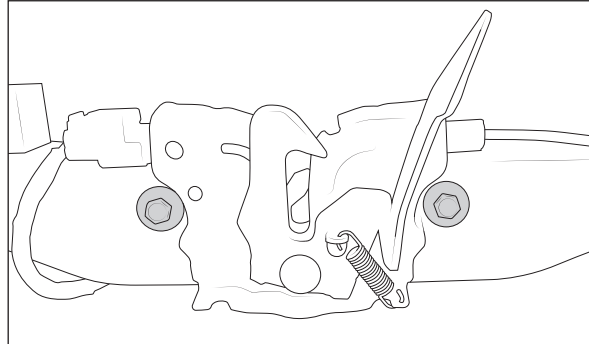


Figure 6

Once the hood has been adjusted and a proper fit is achieved it may be painted.

INSTALL HOOD BEZELS

1. Install the supplied foam strips to the underside of the hood bezels as shown (fig. 7). Be sure not to cover the drain opening.

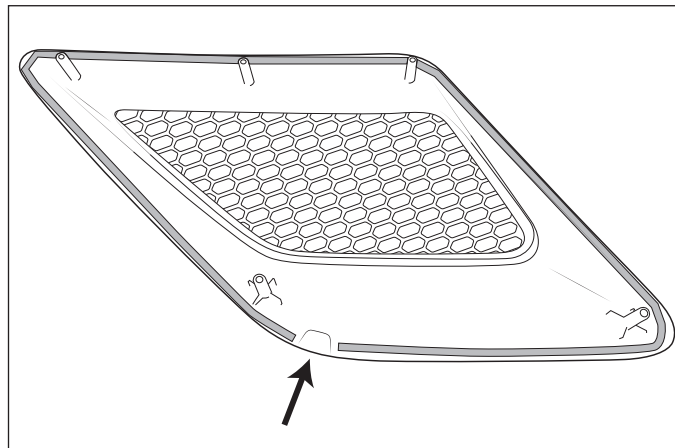


Figure 7

2. Insert the studs of the hood bezels through the hood.
3. Install the water trays on the underside of the hood over the bezel studs (fig. 8).

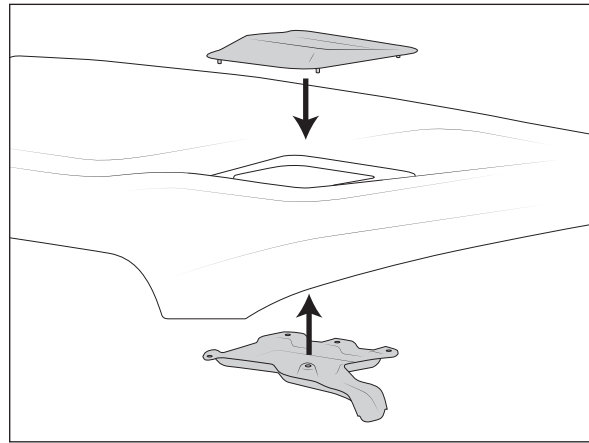


Figure 8

4. Secure with stamped nuts. **DO NOT use power tools. DO NOT over tighten.**
5. You may now re-install the under hood light and windshield washer equipment.
6. Install the supplied pieces of clear mylar to the underside of the hood to protect the paint from the hood bumpers (fig. 9)

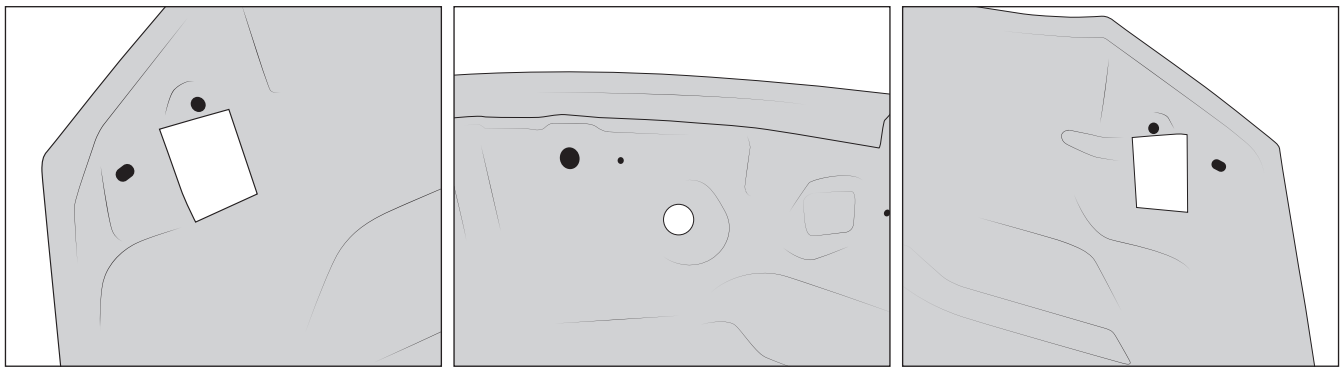


Figure 9