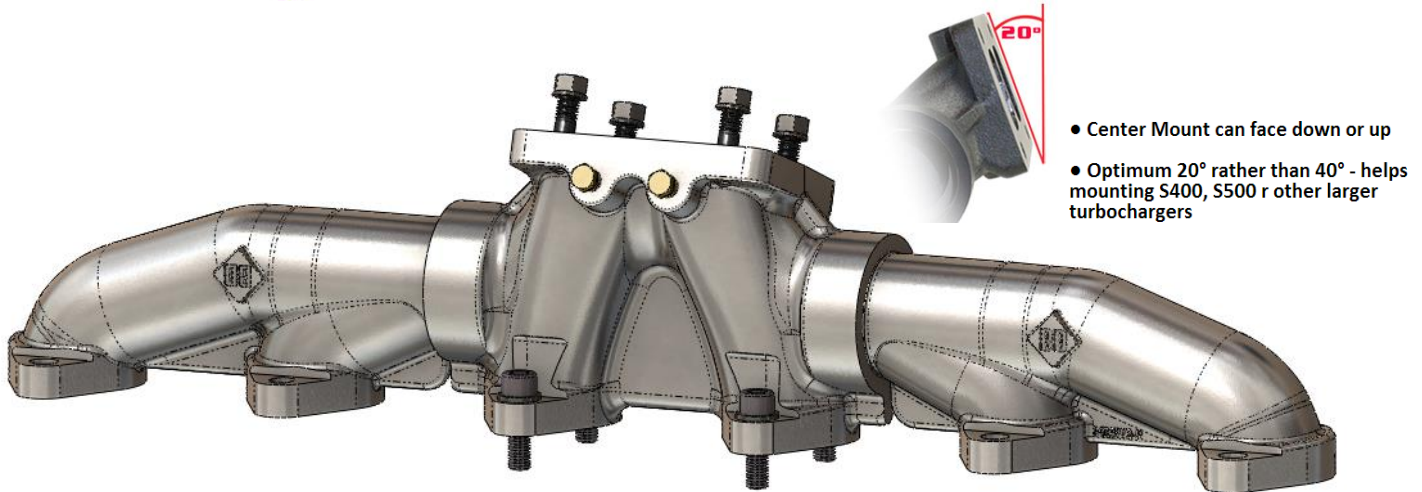




**DOWNLOAD THE LATEST  
INSTALL MANUALS AT  
[www.bddiesel.com](http://www.bddiesel.com)**



## **BD DODGE CUMMINS PERFORMANCE 5.9L / 6.7L RACE MANIFOLD**

Application List		
1998½-2014	24V	1045995-T4
1998½-2014	24V	1045995-T6

**UNLESS AN EO# IS LISTED, THIS PRODUCT IS LEGAL IN CALIFORNIA FOR RACING VEHICLES ONLY, WHICH MAY NEVER BE USED UPON A HIGHWAY.**

### **Common Turbos with T4 or T6 mounts:**

- Borg Warner S300 / S400 / S500
- Holset HX50 / HX55 / HX60 / HX82
- Garrett GT55 / GT47 / GT45 / GT42 / GT40

These manifolds are intended for the installation of competition turbos. Some modifications to vehicle / engine components will be necessary as this is a race product.

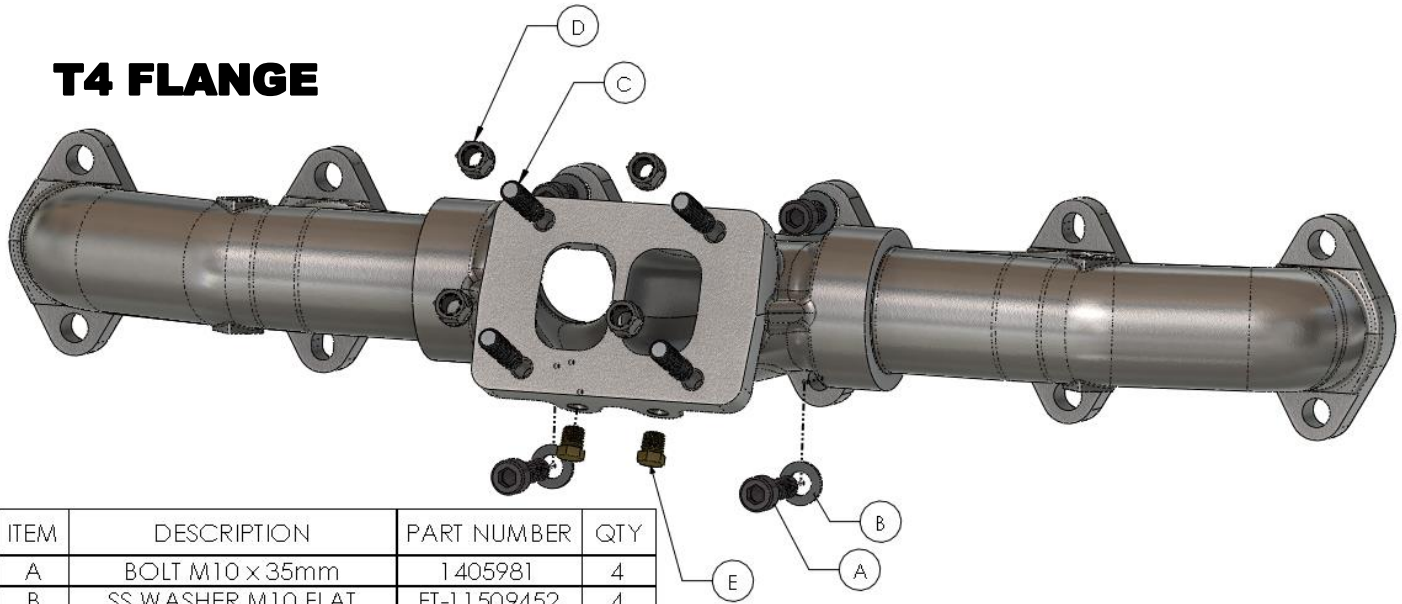
BD Engine Brake Inc.  
Plant Address: 33541 MacLure Rd. Abbotsford, BC, Canada V2S 7W2  
U.S. Shipping Address: 1124 Fir Avenue, Blaine, WA 98230 U.S. Mailing Address: P.O. Box 231, Sumas, WA 98295  
Phone: 604-853-6096 | Fax: 604-853-8749 | Internet: [www.bddiesel.com](http://www.bddiesel.com)

**GASKET REPLACEMENT PART NUMBERS**

Description	Part #
T4 Manifold Gasket Set	1045986-T4
T6 Manifold Gasket Set	1045986-T6

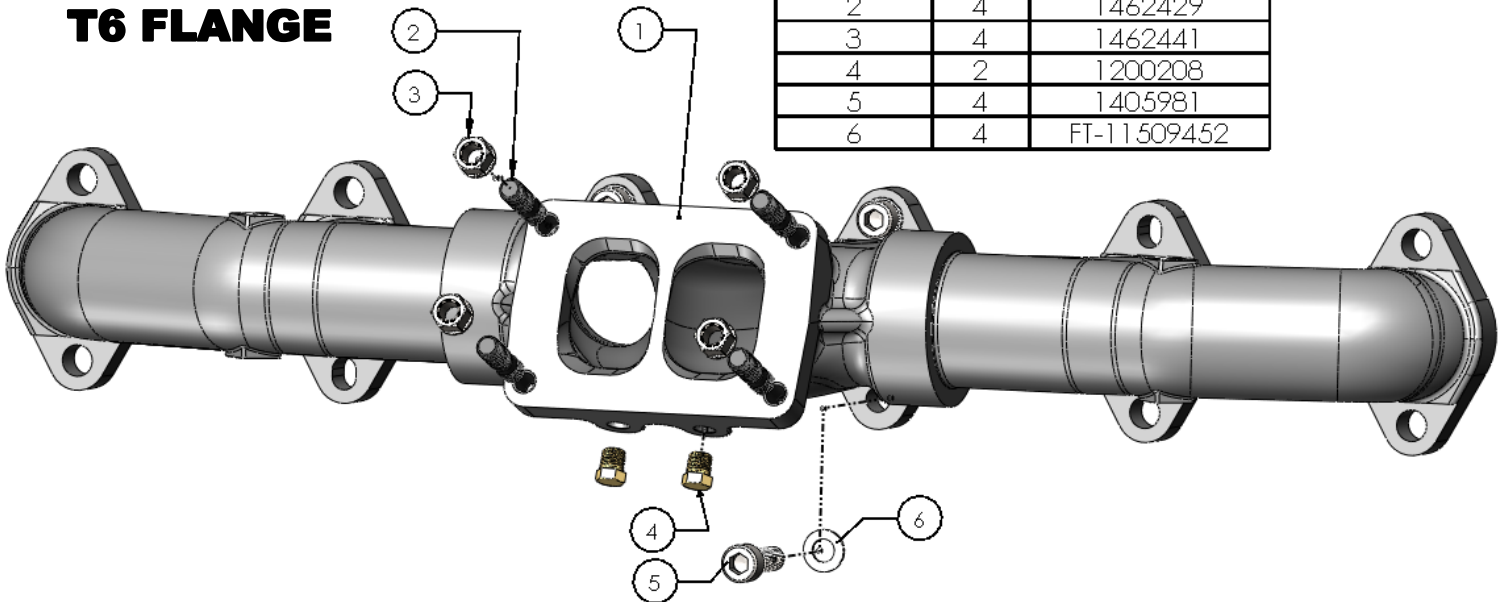
**EXPLODED VIEW**

**T4 FLANGE**



ITEM	DESCRIPTION	PART NUMBER	QTY
A	BOLT M10 x 35mm	1405981	4
B	SS WASHER M10 FLAT	FT-11509452	4
C	STUD M10 x 030	1462430	4
D	NUT M10 (SMALL FLANGE)	1462441	4
E	PLUG 1/8" NPT	1200208	2

**T6 FLANGE**



ITEM NO.	QTY.	PART NUMBER
1	1	1405973-T6
2	4	1462429
3	4	1462441
4	2	1200208
5	4	1405981
6	4	FT-11509452