



**DOWNLOAD THE LATEST
INSTALL MANUALS AT
www.bddiesel.com**







Universal Radiator Fan

Installation Instructions

P/N# 1030607

PLEASE READ ALL INSTRUCTIONS CAREFULLY BEFORE INSTALLATION

Kit Contents

1300612-R	1300619	1210363
		
	<p>Mounting Adapters</p>	<p>Butt Connector</p>
<p>Radiator Fan Qty: 1</p>		
	<p>Wire Pigtail Qty: 1</p>	

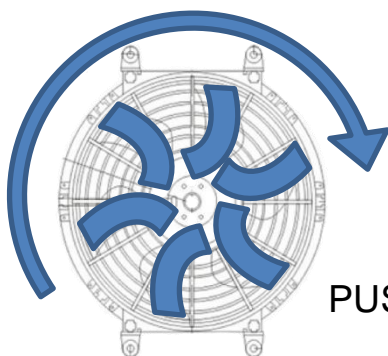
Fan Direction and Airflow

This fan can be configured as a “pusher” or “puller” fan.

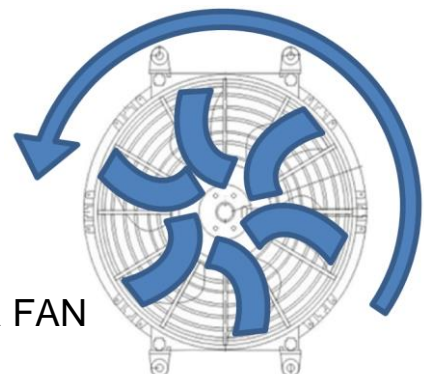
The fan is supplied as a “pusher” fan from factory. This means it will draw air in through the grille of the fan and push that air into the radiator. This is ideal for installation on the front side of the vehicles radiator.

The fan may be converted to a “puller” fan. This would mean it will draw air through the radiator fins, and then out through the fan grille. This is ideal for installation on the rear side of the vehicle radiator.

To change the airflow direction, the fan wires must be reversed AND the fan blade assembly must be removed and flipped over. Doing only one of these changes will result in substantially reduced airflow and efficiency due to fan blade profile.



PUSHER FAN



PULLER FAN

BD Engine Brake Inc.

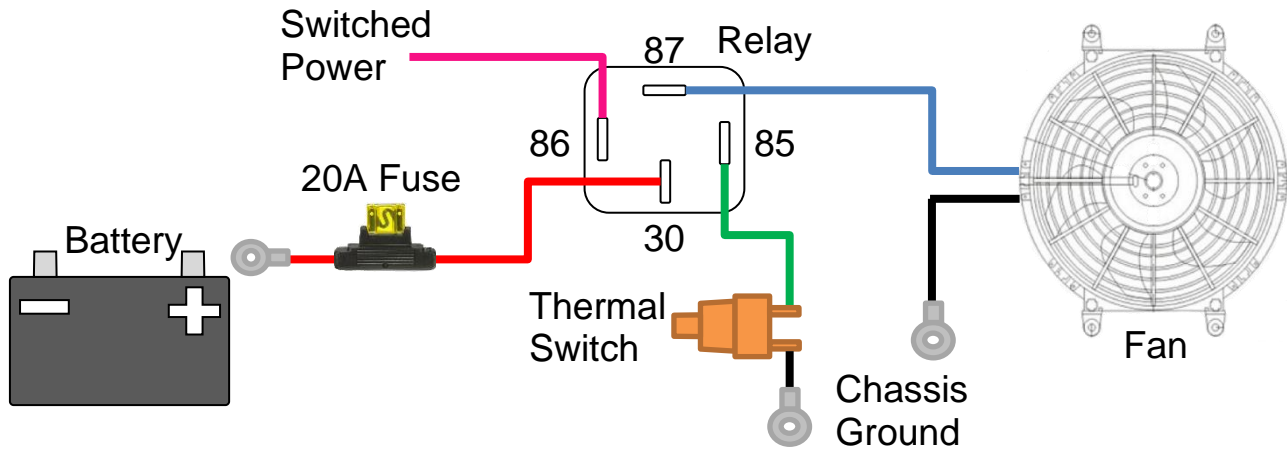
Plant Address: 33541 MacLure Rd. Abbotsford, BC, Canada V2S 7W2

U.S. Shipping Address: 1124 Fir Avenue, Blaine, WA 98230 U.S. Mailing Address: P.O. Box 231, Sumas, WA 98295

Phone: 604-853-6096 | Fax: 604-853-8749 | Internet: www.bddiesel.com

Fan Wiring

Protect fan wiring with a 20 amp slow blow automotive fuse or circuit breaker. Use 14 gauge (TXL) automotive wire (or larger) for all fan power and ground wiring. Control fan using automotive type relay rated for at least 20 amps. Example wiring diagram:



BD Engine Brake Inc.

Plant Address: 33541 MacLure Rd. Abbotsford, BC, Canada V2S 7W2

U.S. Shipping Address: 1124 Fir Avenue, Blaine, WA 98230 U.S. Mailing Address: P.O. Box 231, Sumas, WA 98295

Phone: 604-853-6096 | Fax: 604-853-8749 | Internet: www.bddiesel.com