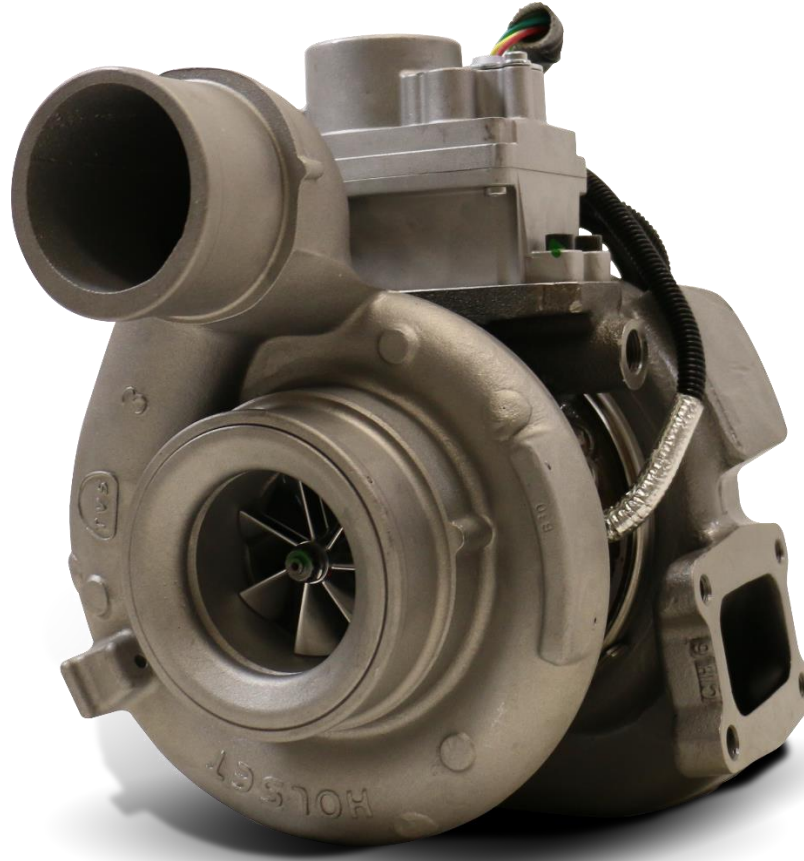




**DOWNLOAD COLOUR  
INSTALL MANUALS AT  
[www.bddiesel.com](http://www.bddiesel.com)**



**BD Screamer Series: Dodge 6.7L Drop-in Replacement**

<b>1045770</b>	<b>2007-2012 Dodge 6.7L ISBe</b>
<b>1045771</b>	<b>2013-2018 Dodge 6.7L ISBe</b>

**PLEASE READ ALL INSTRUCTIONS BEFORE INSTALLATION**

## PRE-INSTALLTION

A new turbocharger will not solve any of the following failures:

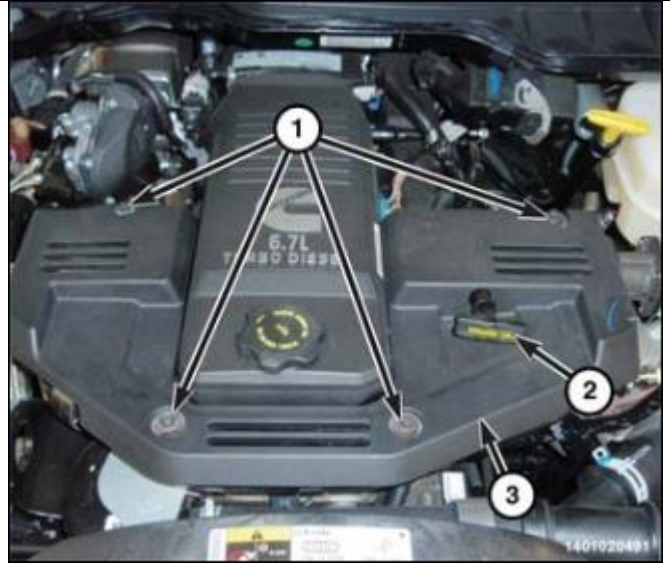
- Oil contamination
- Restrictive oil drain and/or oil supply
- Overspeed due to boost leaks
- Exhaust leaks due to faulty seals and/or clamps

Turbo overspeed will lead to premature turbo failure. Boost pressure can be used to estimate turbo speed. The table shows maximum allowable turbo speed at 3200RPM. A restrictive intake or a boost leak will lead to increase in turbo speed and cause an overspeed failure.

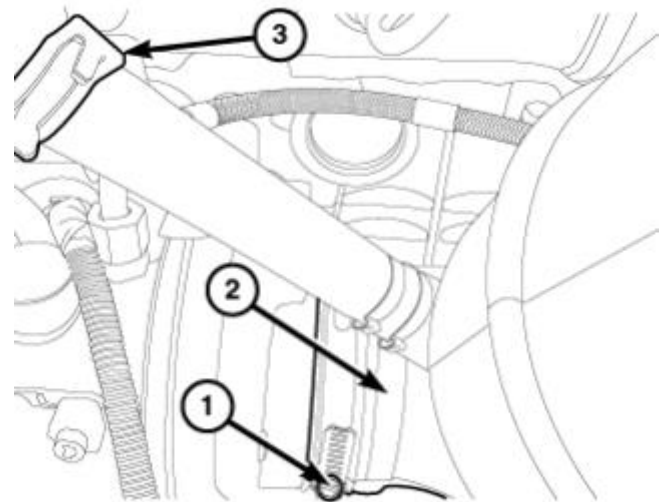
Max Turbo Speed	Max Boost (psi)
121,000 RPM	38

## REMOVAL

1. Disconnect and isolate both of the negative battery cables.
2. Remove the right battery tray.
3. Remove the engine oil dip stick (2).
4. Remove the bolts (1) and the engine cover (3).



5. Remove the air cleaner body.
6. Disconnect the breather hose (3).
7. Loosen the clamp (1) and remove the air tube (2) from the turbocharger.



2423891

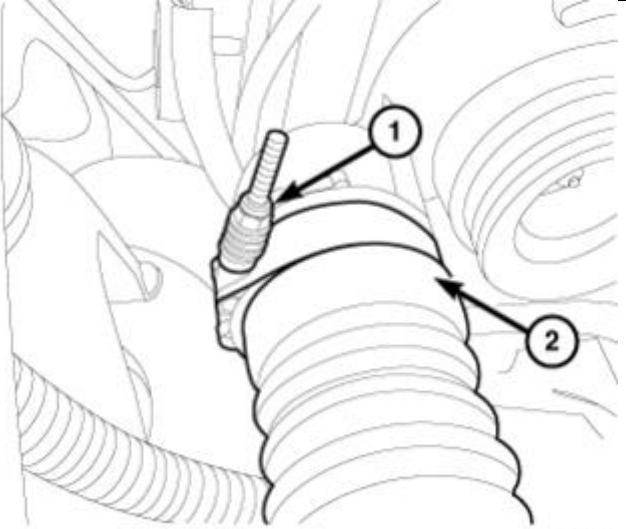
BD ENGINE BRAKE, INC.

Plant Address: 33541 Maclure Rd, Abbotsford, BC, Canada V2S 7W2

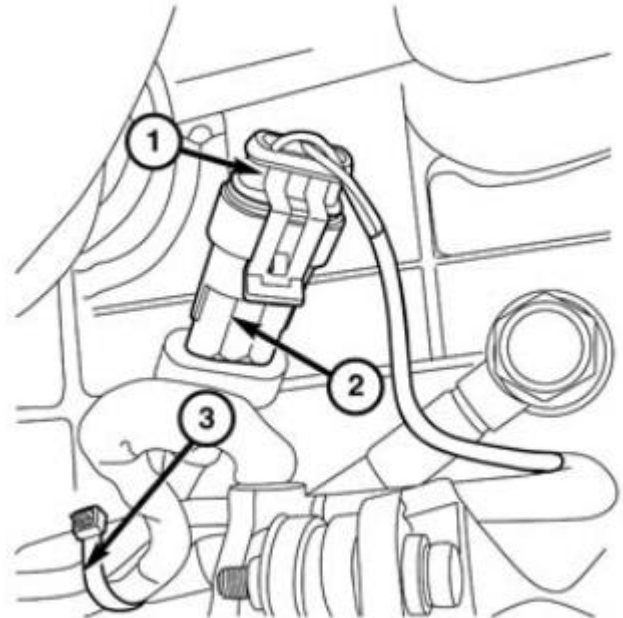
US Shipping Address: 1124 Fir Avenue, Blaine, WA 98230 | US Mailing Address: PO Box 231, Sumas, WA 98295

Phone: 1-800-887-5030 | Fax: 604-853-8749 | website: [www.bddiesel.com](http://www.bddiesel.com)

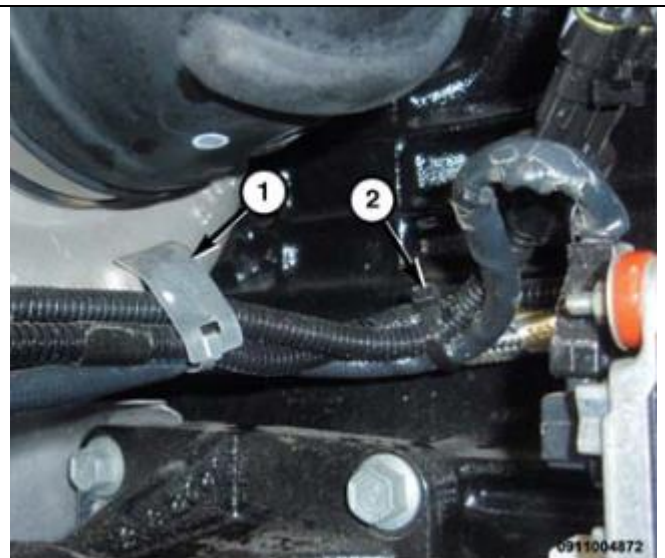
8. Remove the right-side wheelhouse splash shield.
9. Loosen the clamp (1) and remove the right Charge Air Cooler (CAC) tube (2).



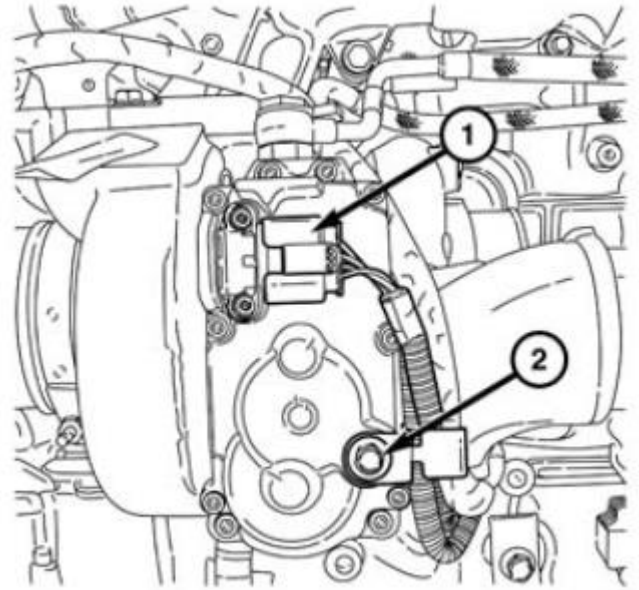
10. Drain the coolant system.
11. Remove the pressurized coolant bottle and position aside.
12. Disconnect the turbocharger speed sensor wire harness connector (1).



13. Cut the cable tie (2) securing the speed sensor wire harness to the turbocharger speed sensor wire harness.
14. Open clip (1) securing the wire harness and the turbocharger speed sensor wire harness.

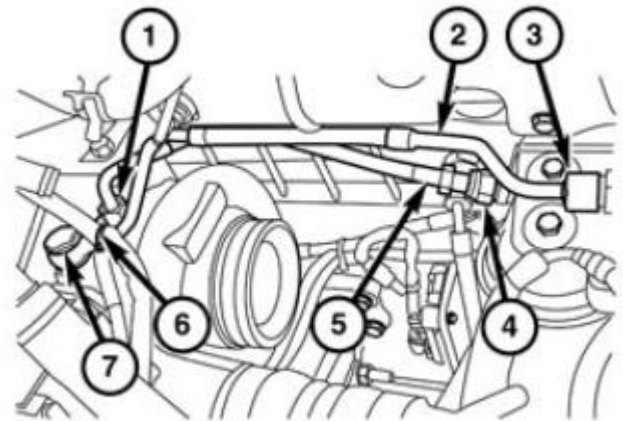


15. Remove bolt (2) and separate the retainer clip securing the wire harness and the turbocharger speed sensor wire harness to the turbocharger actuator.
16. Disconnect turbocharger actuator wire harness connector (1) from the turbocharger by cleaning the connector to remove debris, pulling the light grey release lever away from the locked position with your thumbnail until it clicks into the unlocked position, then holding the light grey release lever down while pulling the connect apart.

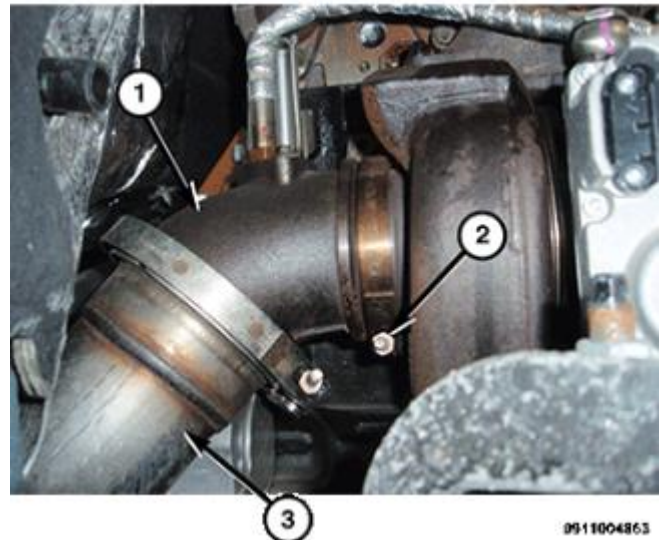


091174893

17. Remove the turbocharger oil pressure line (1).
18. Remove banjo bolt (7) and the turbocharger coolant line (2).

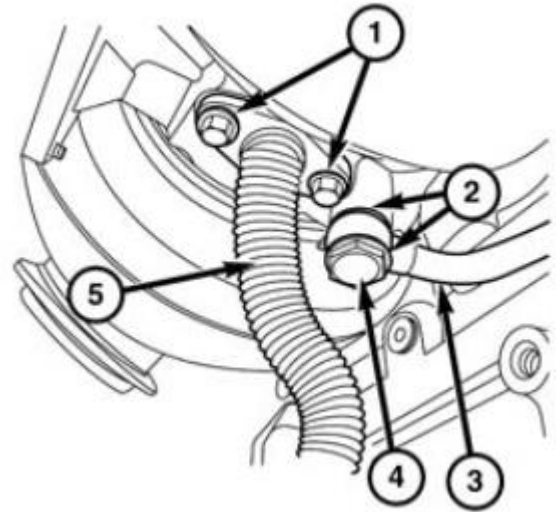


19. Remove the right-side engine mount. **(NOTE: engine mount does not need to be fully removed, just repositioned).**
20. Raise and support the vehicle.
21. Remove the exhaust steady bracket from the transmission.
22. Remove the V-band clamp (2) from the turbocharger and position aside the elbow and exhaust pipe (3).



0911004865

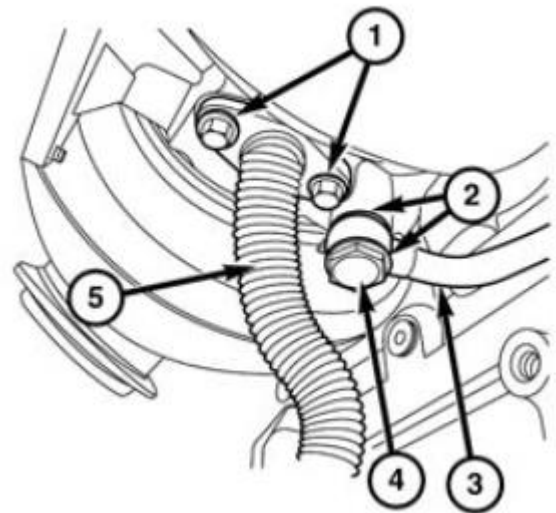
23. Remove the bolts (1) and turbocharger drain tube (5) from the turbocharger.
24. Remove the turbocharger oil drain tube (5) from the cylinder block.
25. Remove the banjo bolt (4) and the coolant tube (3) from the turbocharger.
26. Remove the support and lower the vehicle.
27. Remove the turbocharger to exhaust manifold mounting nuts.
28. Remove the turbocharger from the vehicle coming through the right-side wheel.



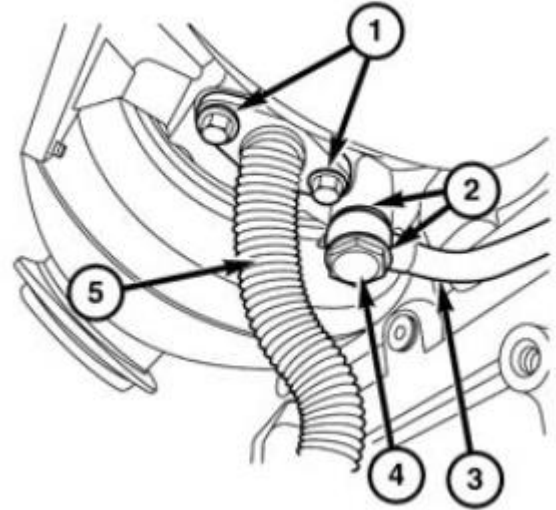
## INSTALLATION

Note: Verify that turbocharger and Charger Air Cooler are free of excess oil and debris. Do not allow any water or solvents to enter the turbocharger inlet or outlet. If necessary, clean the turbocharger and the charge air cooler.

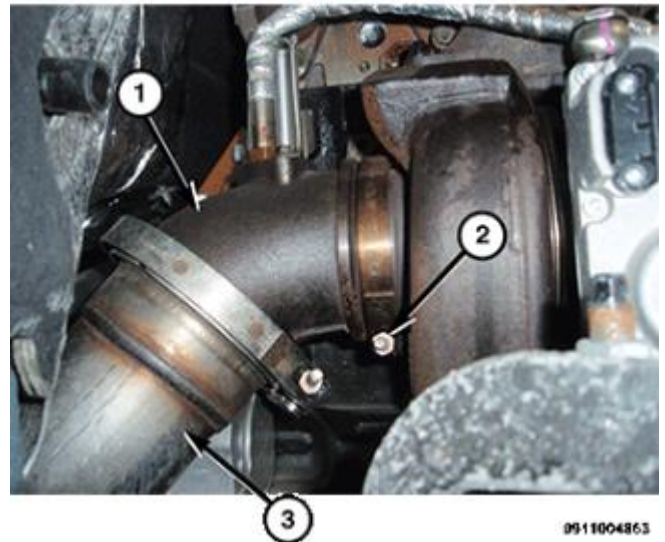
1. Clean the turbocharger mating surfaces.
2. Pre-lube the turbocharger with 29.9-59.4ml (1-2oz) of clean engine oil.
3. Using a new gasket, install the turbocharger onto the exhaust manifold studs by coming through the wheel well and tighten the nuts finger tight.
4. Torque the nuts to 43Nm (32ft.lbs) using a cross pattern.
5. Raise and support the vehicle.



6. Inspect the oil drain tube O-rings for nicks or cuts. Replace if necessary. Lubricate the O-rings seals with clean oil.
7. Install the turbocharger drain tube (5) into engine block.
8. Using a new gasket, install the turbocharger drain tube bolts (1) and tighten to 24Nm (18ft.lbs).
9. Using new sealing washers (2), install the lower turbocharger coolant line (3) and tighten the banjo bolt (4) to 24Nm (18ft.lbs).

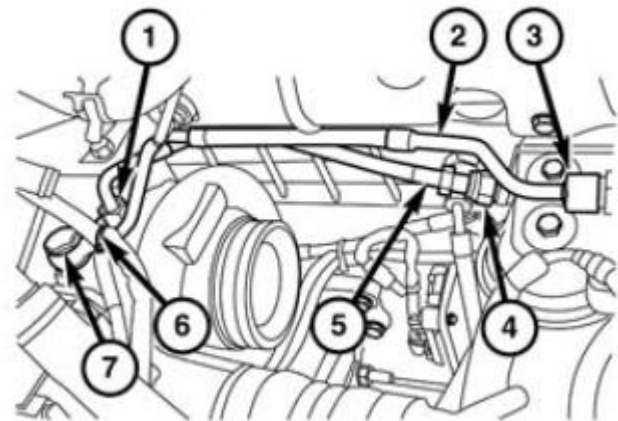


10. Use the V-band clamp (2) to connect the exhaust pipe (3) with the elbow (1) to the turbocharger exhaust outlet with clamp facing as shown. Tighten the clamp (2) to 17Nm (13ft.lbs). using a rubber mallet, hit the exhaust pipe to turbocharger clamp three times around the perimeter of the clamp (2) and tighten the clamp (2) to 17Nm (13ft.lbs).
11. Install the exhaust steady bracket to the transmission and tighten the bolt 43Nm (32ft.lbs).
12. Install the right engine mount.
13. Remove support and lower the vehicle.

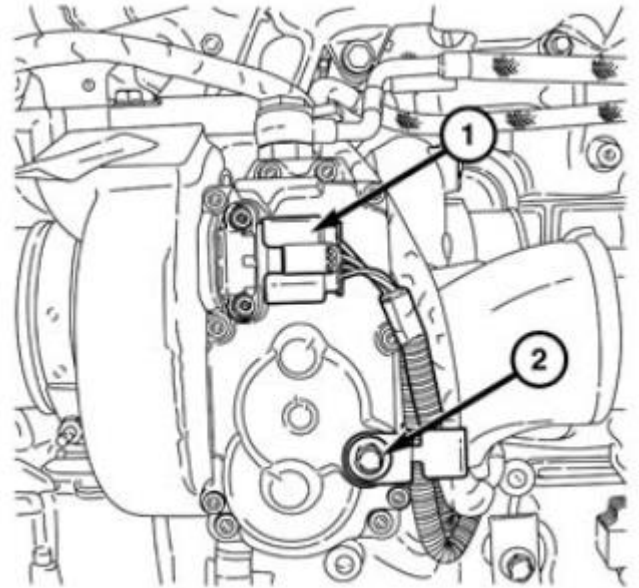


0911004863

14. Using new sealing washer, install the coolant line (2) to the turbocharger and tighten the banjo bolt (7) and fitting (3) to 24Nm (18ft.lbs).
15. Install the turbocharger oil pressure line (5) and tighten the fitting (1,4) to 24Nm (18ft.lbs).

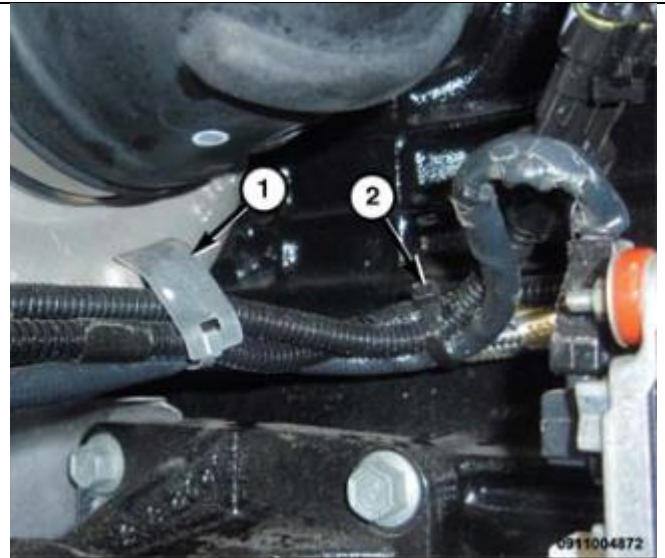


16. Connect the turbocharger actuator wire harness connector (1).
17. Position the wire harness and the turbocharger speed sensor wire into the harness retainer clip.
18. Install the bolt (2) to the turbocharger actuator and tighten to 11Nm (8ft.lbs).



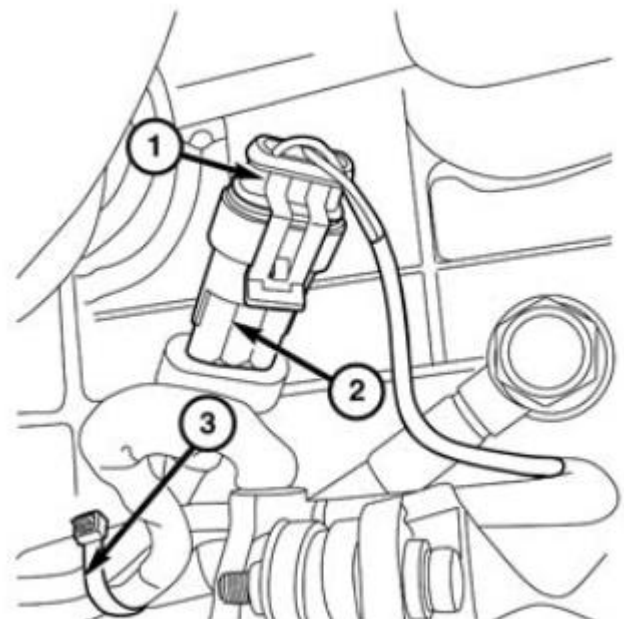
091174893

19. Position the wire harness and the turbocharger speed sensor wire harness into the retainer and close the retainer clip (1).
20. Using a cable tie (2), tie the wire harness and turbocharger speed sensor wire harness together.



0911004872

21. Connect the turbocharger speed sensor wire harness connector (1).



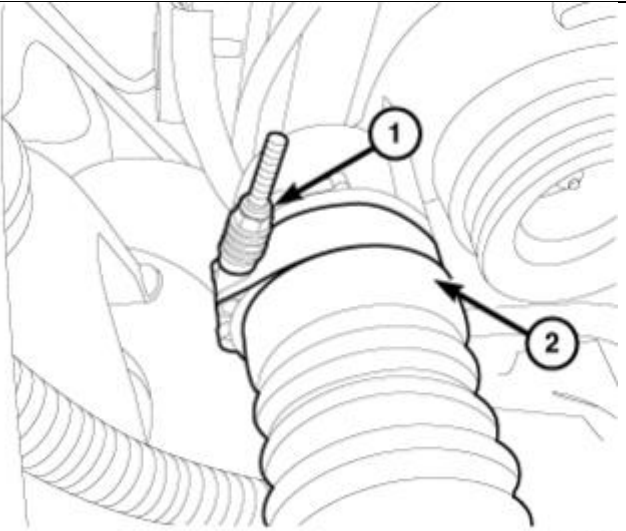
BD ENGINE BRAKE, INC.

Plant Address: 33541 Maclure Rd, Abbotsford, BC, Canada V2S 7W2

US Shipping Address: 1124 Fir Avenue, Blaine, WA 98230 | US Mailing Address: PO Box 231, Sumas, WA 98295

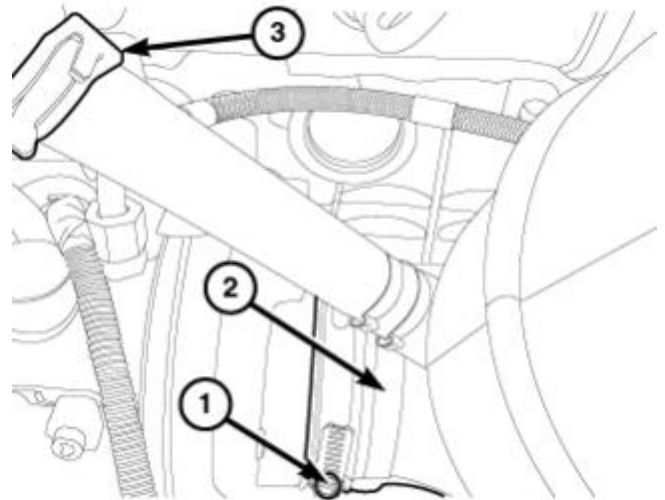
Phone: 1-800-887-5030 | Fax: 604-853-8749 | website: www.bddiesel.com

22. Install the pressurized coolant bottle.
23. Install the right CAC tube (2) to the turbocharger and tighten the clamp (2) to 11Nm (8ft.lbs).
24. Install the right-side wheelhouse splash shield.



2423914

25. Install the inlet tube (2) to the turbocharger and tighten the clamp (1) to 11Nm (8ft.lbs).
26. Connect the breather hose (3).
27. Install the air cleaner body.
28. Fill the cooling system.



2423891

29. Install the engine cover (3). Tighten bolts (1) to 10Nm (89in.lbs).
30. Install the engine oil dip stick (2).
31. Install the right battery tray.
32. Connect both of the negative battery cables.
33. Start the engine and check for any cooling or exhaust leaks and confirm the turbocharger is operating properly.

