



Description:

At an impressive 12,460 lumens, the brightest just got up to 69% brighter than our previous generation. The OnX6 + LED light bar also integrates Baja Designs' trademarked High Speed Spot™ reflector, the same one used by our Team Enlightened racers, to give you the guaranteed furthest projecting LED Light Bar on the planet. In addition, the OnX6 + LED light bar adopts industry standard sizing and is now compatible with aftermarket mounting systems. An industry first 30 Day Satisfaction Guarantee & Limited Lifetime Warranty is included for the ultimate in purchase protection.

Standards of Compliance:

MIL-STD-810G Certified

- (Low Temperature Test, High Temperature, Temperature & Humidity, Thermal Shock Cycling, Dust, Random Vibration, Mechanical Shock, Low Pressure & Drip Box Water)

IP69k Certified - (Submersible to 9ft)

IK10 Compliant - (Mechanical Impact Testing)

Salt Spray Certified

High/Medium Modes

Baja Designs Features:

- **Satisfaction Guaranteed** - 30 Day Money Back Guarantee
- **Limited Lifetime Warranty** - Complete Purchase Protection
- **uService®** - Replaceable Lenses And Optics
- **ClearView®** - All The Light, Right Where You Need It
- **MoistureBlock™** - Waterproof, Rain Proof, Submersible
- **CopperDrive®** - Only LED Driven At 100%
- **5000K Daylight** - Less Driver Fatigue, Natural Color

Specifications:

Lumens: 12,460 Utilizing 6 LEDs

Weight: 4.25 lbs per 10" Section

Wattage/Amps: (High) 108W / 8.4A (Low) 80W / 5.8A

Dimensions: 10" x 4.29" x 2.69"

LED Life Expectancy: 49,930 Hours

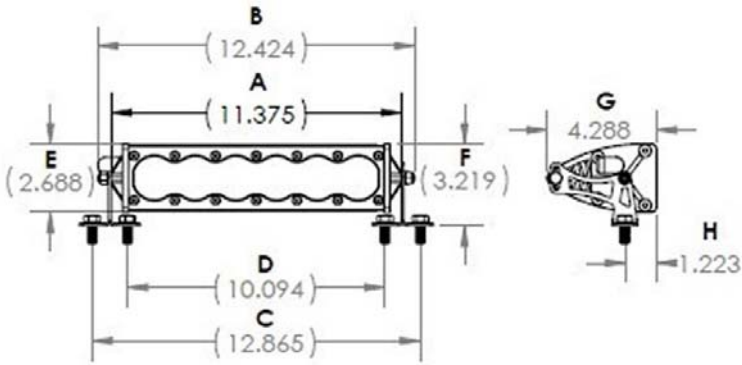
Front Lens: Hard Coated Polycarbonate

Housing: Aircraft Grade Aluminum w/Mil-Spec Hard Anodize

Hardware & Bracket Material: Stainless Steel

Exceeds MIL-STD810G

Built-In Overvoltage Protection

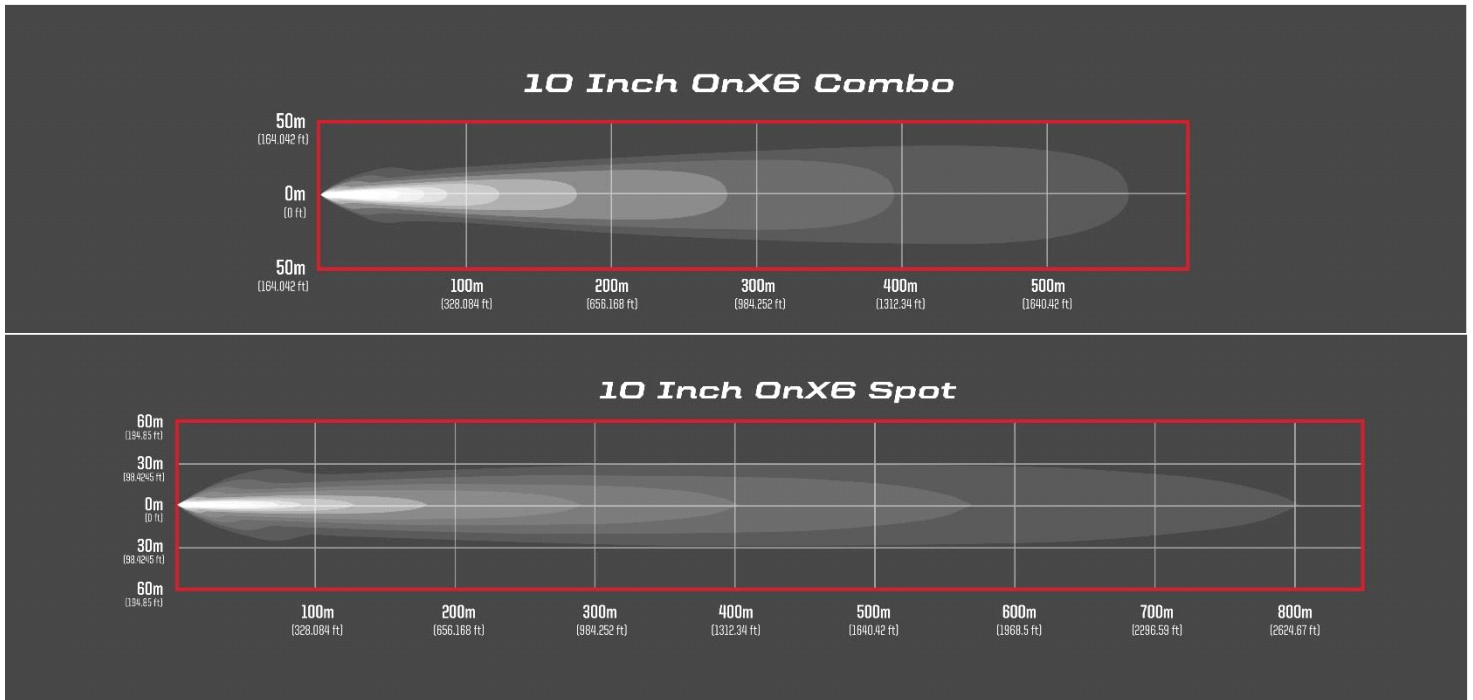


Part Number	Description	Size	Lumens	Amps/Watts
45-1001	OnX6+, 10" High Speed Spot LED Light Bar	10" x 4.29" x 2.69"	(High) 12,460 (Low) 9,230	(High) 108W / 8.4A (Low) 80W / 5.7A
45-1003	OnX6+, 10" Driving/Combo LED Light Bar	10" x 4.29" x 2.69"	(High) 12,460 (Low) 9,230	(High) 108W / 8.4A (Low) 80W / 5.7A
45-1004	OnX6+, 10" Wide Driving LED Light Bar	10" x 4.29" x 2.69"	(High) 12,460 (Low) 9,230	(High) 108W / 8.4A (Low) 80W / 5.7A
45-1013	OnX6+, Amber 10" Driving/Combo LED Light Bar	10" x 4.29" x 2.69"	(High) 12,460 (Low) 9,230	(High) 108W / 8.4A (Low) 80W / 5.7A
45-1014	OnX6+, Amber 10" Wide Driving LED Light Bar	10" x 4.29" x 2.69"	(High) 12,460 (Low) 9,230	(High) 108W / 8.4A (Low) 80W / 5.7A
45-2001	OnX6+, 20" High Speed Spot LED Light Bar	20" x 4.29" x 2.69"	(High) 24,920 (Low) 18,460	(High) 216W / 16.6A (Low) 160W / 12.0A
45-2003	OnX6+, 20" Driving/Combo LED Light Bar	20" x 4.29" x 2.69"	(High) 24,920 (Low) 18,460	(High) 216W / 16.6A (Low) 160W / 12.0A
45-2004	OnX6+, 20" Wide Driving LED Light Bar	20" x 4.29" x 2.69"	(High) 24,920 (Low) 18,460	(High) 216W / 16.6A (Low) 160W / 12.0A
45-2013	OnX6+, Amber 20" Driving/Combo LED Light Bar	20" x 4.29" x 2.69"	(High) 24,920 (Low) 18,460	(High) 216W / 16.6A (Low) 160W / 12.0A
45-2014	OnX6+, Amber 20" Wide Driving LED Light Bar	20" x 4.29" x 2.69"	(High) 24,920 (Low) 18,460	(High) 216W / 16.6A (Low) 160W / 12.0A
45-3001	OnX6+, 30" High Speed Spot LED Light Bar	30" x 4.29" x 2.69"	(High) 31,910 (Low) 25,450	(High) 281W / 21.7A (Low) 225W / 17.1A
45-3003	OnX6+, 30" Driving/Combo LED Light Bar	30" x 4.29" x 2.69"	(High) 31,910 (Low) 25,450	(High) 281W / 21.7A (Low) 225W / 17.1A
45-3004	OnX6+, 30" Wide Driving LED Light Bar	30" x 4.29" x 2.69"	(High) 31,910 (Low) 25,450	(High) 281W / 21.7A (Low) 225W / 17.1A
45-3013	OnX6+, Amber 30" Driving/Combo LED Light Bar	30" x 4.29" x 2.69"	(High) 31,910 (Low) 25,450	(High) 281W / 21.7A (Low) 225W / 17.1A
45-3014	OnX6+, Amber 30" Wide Driving LED Light Bar	30" x 4.29" x 2.69"	(High) 31,910 (Low) 25,450	(High) 346W / 26.8A (Low) 290W / 22.4A
45-4001	OnX6+, 40" High Speed Spot LED Light Bar	40" x 4.29" x 2.69"	(High) 38,900 (Low) 32,440	(High) 346W / 26.8A (Low) 290W / 22.4A



45-4003	OnX6+, 40" Driving/Combo LED Light Bar	40" x 4.29" x 2.69"	(High) 38,900 (Low) 32,440	(High) 346W / 26.8A (Low) 290W / 22.4A
45-4004	OnX6+, 40" Wide Driving LED Light Bar	40" x 4.29" x 2.69"	(High) 38,900 (Low) 32,440	(High) 346W / 26.8A (Low) 290W / 22.4A
45-4014	OnX6+, Amber 40" Wide Driving LED Light Bar	40" x 4.29" x 2.69"	(High) 38,900 (Low) 32,440	(High) 346W / 26.8A (Low) 290W / 22.4A
45-5001	OnX6+, 50" High Speed Spot LED Light Bar	50" x 4.29" x 2.69"	39,430	355W / 28.2A
45-5003	OnX6+, 50" Driving/Combo LED Light Bar	50" x 4.29" x 2.69"	39,430	355W / 28.2A
45-5004	OnX6+, 50" Wide Driving LED Light Bar	50" x 4.29" x 2.69"	39,430	355W / 28.2A
45-5014	OnX6+, Amber 50" Wide Driving LED Light Bar	50" x 4.29" x 2.69"	39,430	355W / 28.2A

Isolux Charts

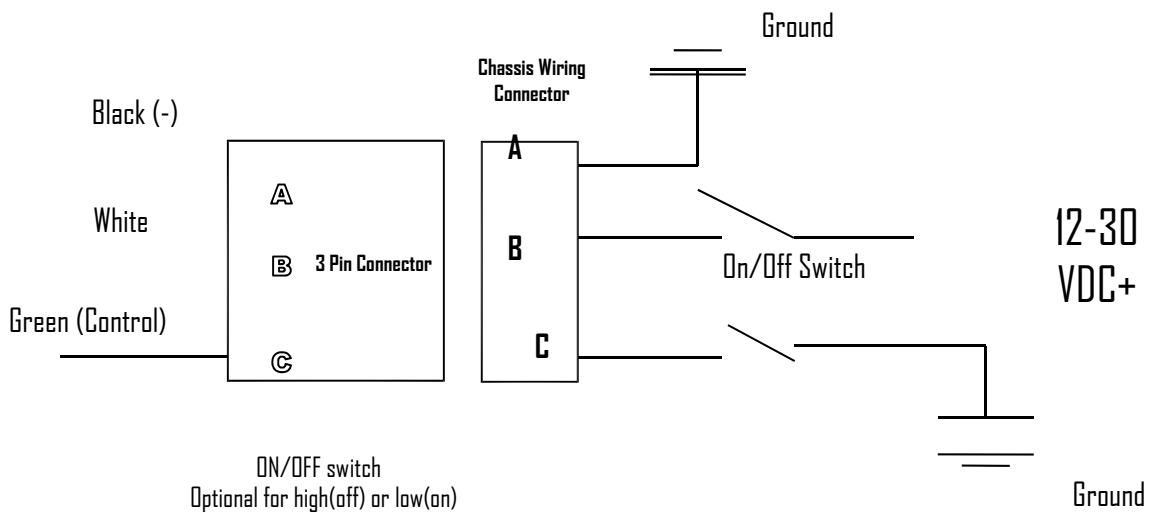




Baja Designs OnX6 Wiring

All OnX6 Light bars have a microprocessor that performs thermal management of the LED's and allow a **dimming mode**. If you want to use the dimming mode of the light bar, a separate switch is required to ground the green control wire (Pin C). We also include a plug n play low adapter if you want the light always dimmed but don't want to wire a switch. If you do not need this feature, then a single standard on/off switch is all that is required.

Wiring: 3 Pin WeatherPak Connector



When using the 2nd Switch, the light will dim to 75% power. Turning the switch off will toggle back to full power. This is to be used when your vehicles charging system cannot produce the necessary voltage (13.5V or higher) to keep the vehicle charging. Included with your light is an inline "Hi-Low" adapter in case you **DO NOT** want to wire a secondary "On/Off" switch.

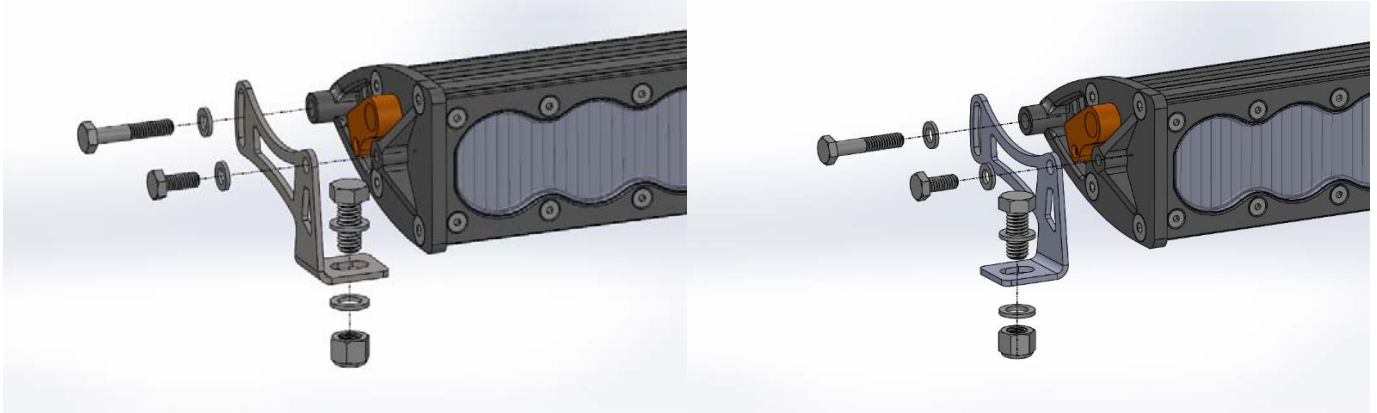
BMT technology: The OnX6 also features **Battery Management Technology** which regulates the amount of amperage the light will draw in case of low voltage situations. This will help prolong the life of the vehicles battery by reducing the lights wattage as well as prevent the light from drawing too many amps through the vehicles electrical system.

Moisture Block: The Moisture Block functions exactly as it sounds, completely blocking moisture or water from climbing its way up the cord into your LED light.

*Cutting past the Moisture Block will **VOID YOUR WARRANTY***



OnX6 LED Light Bar Mounting



If you have any questions, please don't hesitate to give us a call at 760-560-2252!